



Occupancy & Vacancy Sensors & Timers Wall Box Timers

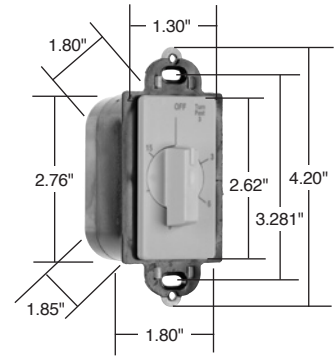
125, 125-T, 250 & 277VAC, 60 Hz

Pass & Seymour



Applications		
■ Lighting	■ Whirlpools and spas	■ Heating and heat lamps
■ Exhaust fans	■ Saunas	■ Ventilating and air conditioning

Features	
■ Units with "Hold" feature may be turned counter-clockwise to hold the load on without timing function.	■ Decorator styling.
■ Turning clockwise causes unit to time load off after desired time delay.	■ Easily installed.
■ Quiet operation.	■ Large head screw terminals.
■ Time range from 5 minutes to 12 hours.	■ Accurate to ± 5 percent.
■ Available with or without hold.	■ Motor rated.
	■ Energy saving.



970151

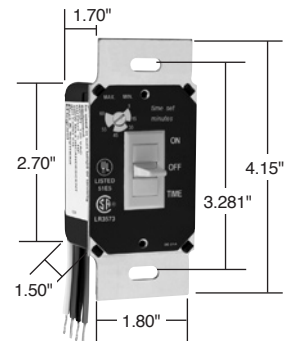
Catalog Number	Color
Replacement Knobs (without plate)	
PS55A1	White
PS55B1	Ivory
PS55G1	Light Almond

VAC	Hz	Amp	HP
Ratings			
125	60	20	1
125T	60		7
250	60	10	1
277	60	10	

Catalog Number	Description	Time Range	Color
Specification Grade Decorator Rotary Timers			
970151 97015W 97015LA	Timeout, No Hold	15 Minutes	Ivory White Light Almond
970301 97030W 97030LA	Timeout, No Hold	30 Minutes	Ivory White Light Almond
970601 97060W	Timeout, No Hold	60 Minutes	Ivory White
971151 97115W	Timeout, With Hold	15 Minutes	Ivory White
971301 97130W	Timeout, With Hold	30 Minutes	Ivory White
971601 97160W	Timeout, With Hold	60 Minutes	Ivory White

Features	
■ Eliminates the need for two switches.	■ Motor rated.
■ Fits standard toggle opening for easy ganging.	■ Silent operation.
■ Time range adjustable from 1-60 minutes.	■ Reliable solid-state construction.
■ Easily installed.	■ Energy saving.
■ May control one or two loads simultaneously.	

Catalog Number	Description	Time Range	Rating	Color
Specification Grade Toggle Time Delay Switches Center Off				
973521 97352W	Double Pole, Double Throw	1-60 Minutes, Adjustable	500W, 1/3 HP, 120VAC, 60 Hz	Ivory White

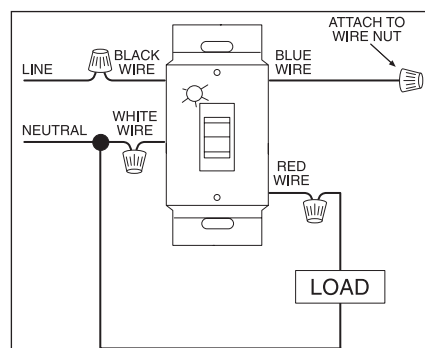


973521

Operation: Catalog Number 97352

- When toggle is up, one or two loads remain on.
- When toggle is down, load "A" is off, load "B" times-off at preset time. In the center position, both loads are off.

Wiring Diagram: Single Timed Load Application



All devices listed on this page conform to NEMA WD-1 and WD-6.